

Neutral Bus Bar

Hot Selling quality Neutral Bus Bar with Discounts. Yulong Electric(GHX) is a large-scale Neutral Bus Bar manufacturer and supplier in China. We have been specialized in Neutral Bus Bar for many years. Our Neutral Bus Bar have a good price advantage and cover most of the Southeast Asia, India, Poland markets. Our hot selling neutral bus bar with free sample are popular in the market. We look forward to working with you together in the future.

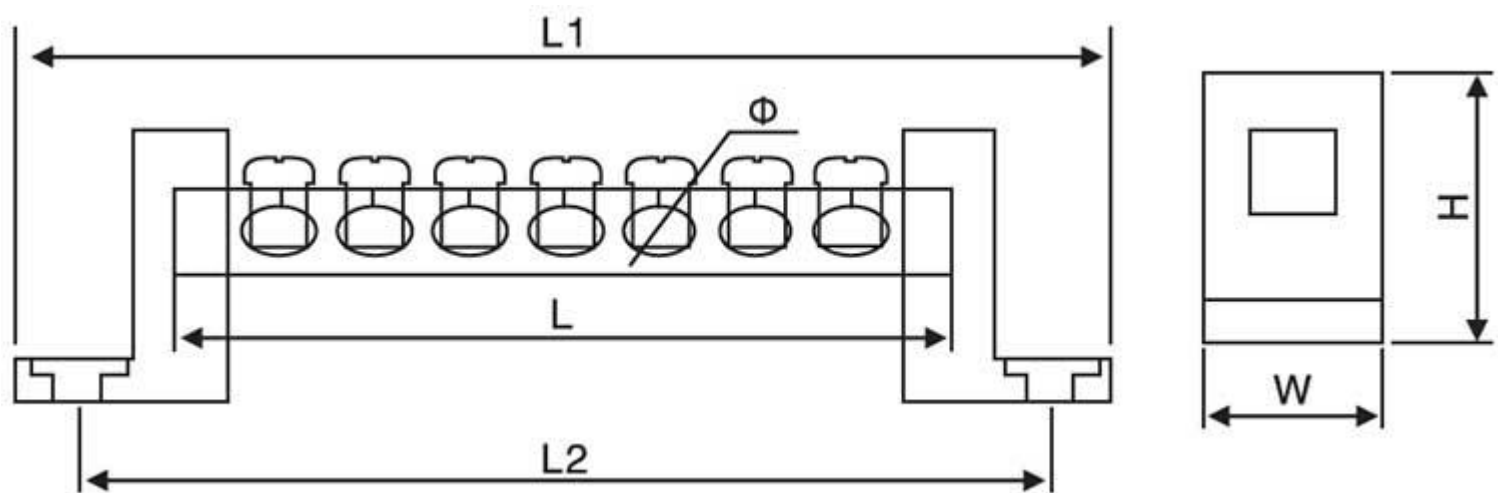


Hot Selling quality Neutral Bus Bar with Discounts

Neutral Bus Bar is available up to 1 meter. We also manufacture 4 ways, 6 ways, 7 ways, 8 ways, 10 ways, 12 ways, and 15 ways brass neutral links with plastic cover. We also manufacture the product as per customer requirement and specification. We offer brass terminal block and neutral bar for all types of panel boards, switch gears and electrical switch boards.

We are also offering these components in custom specifications & sizes. so as to suit the specific requirements detailed given by the clients. Offered at competitive prices.

1. Neutral Bus Bar Drawing



2.Neutral Bus Bar Dimension

Holes	Spec.	L	L1	L2	H	W	Φ	Screw Size	Plastic Material
	W*H	MM							
3	7*11	33	59.5	49.5	35	15	6.5	M5*9	
4	7*11	41	67.5	57.5	35	15	6.5	M5*9	ABS
5	7*10	49	75.5	65.5	35	15	6.5	M5*9	ABS
6	7*10	57	83.5	73.5	35	15	6.5	M5*9	ABS
7	7*10	65	91.5	81.5	35	15	6.5	M5*9	ABS
8	7*10	73	99.5	89.5	35	15	6.5	M5*9	ABS
10	7*10	90	116.5	106.5	35	15	6.5	M5*9	ABS
12	7*10	106	132.5	122.5	35	15	6.5	M5*9	ABS
15	7*10	130	156.5	146.5	35	15	6.5	M5*9	ABS
3	9*15	46	68	58	35	15	6.5	9(2*10)	ABS
5	9*15	68	90	80	35	15	6.5	9(2*10)	ABS
7	9*15	90	112	102	35	15	6.5	9(2*10)	ABS
8	9*15	101	123	113	35	15	6.5	9(2*10)	ABS
10	9*15	123	145	135	35	15	6.5	9(2*10)	ABS
12	9*15	145	167	157	35	15	6.5	9(2*10)	ABS
15	9*15	178	200	190	35	15	6.5	9(2*10)	ABS

3.FAQ of Neutral Bus Bar

Q:When I can receive quotation and detail information after send the inquiry?

A:Reply will be sent in 24hours.

Q:What's the difference between you and other suppliers?

A:We have our own design box with PC/ABS material.

Q: Do you provide samples ? is it free or extra ?

A:Yes, we could offer the sample for free charge but do not pay the cost of freight.

Q:Can I get a sample for test before place order?

A:Of course!



www.ylongelec.com

Q:How's the delivery?Because I really need them is urgently?

A:Samples cost 2-3 days. Bulk order cost 12-15 days.

Q: If i want to release order, what's the payment method you accept ?

A:We accept T/T, Western union, Trade Assurance.